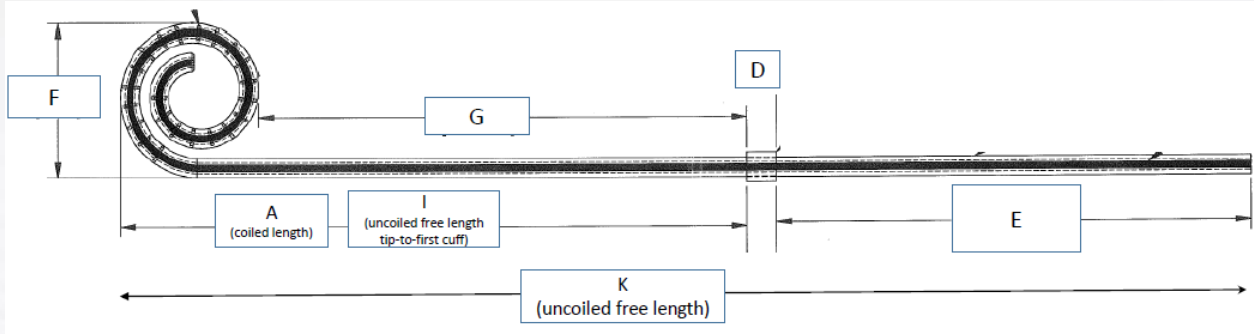
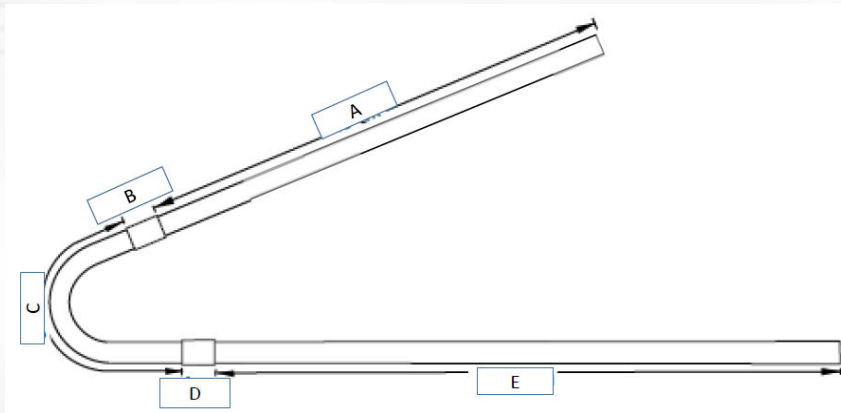


# X-Series – MC20XC



**VERIFIED**

Series	Internal segment	Cuffs	Length	Medcomp Kit	A (cm)	D (cm)	E (cm)	F (cm)	G (cm)	I (cm)	K (cm)
X-series	Coiled	Single	64 cm	MC20XC MC20XS	18	0.8	25	5	13	38	64



Series	Internal segment	Cuffs	Length	Medcomp Kit	A (cm)	B (cm)	C (cm)	D (cm)	E (cm)
X-series	Straight (Swan neck Tenckoff)	Double	62 cm	MC20XC MC20XS	28	0.8	5	0.8	28