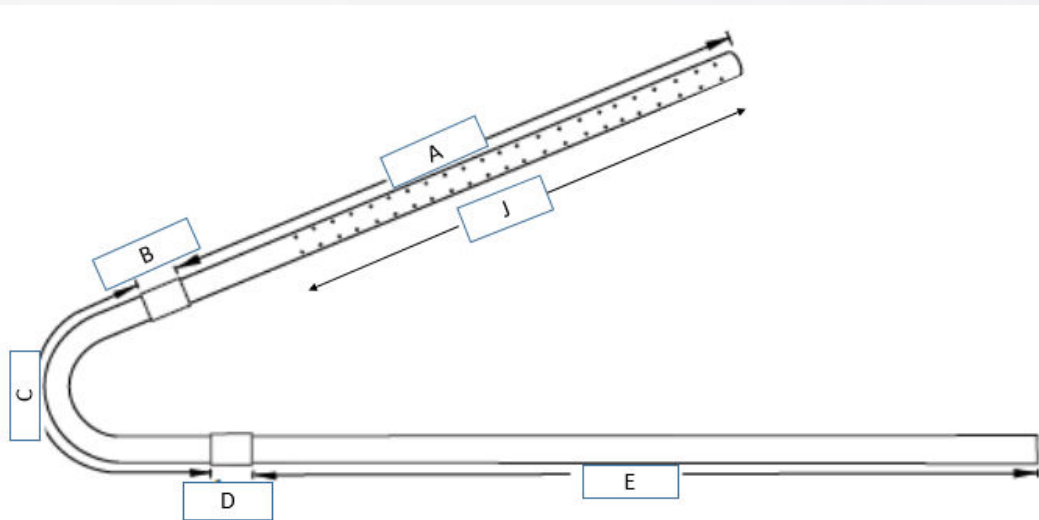


V-Series Straight

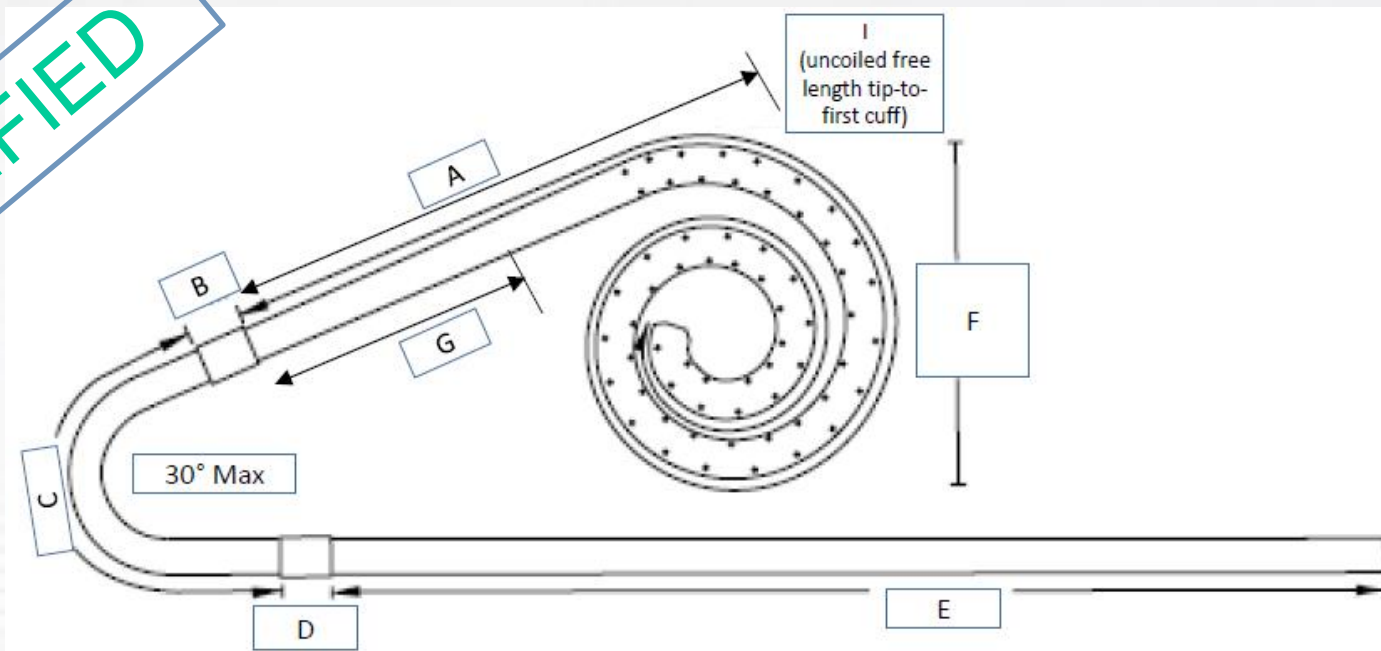
VERIFIED



Series	Internal segment	Cuffs	Length	Medcomp Kit	A (cm)	B (cm)	C (cm)	D (cm)	E (cm)	J (cm)
V-series	Straight (Swan neck Tenckoff)	Double	43 cm	MC200301 MC200302 MC200101 MC200102	15	0.8	5	0.8	22	11

V-Series Coiled

VERIFIED



Series	Internal segment	Cuffs	Length	Medcomp Kit	A (cm)	B (cm)	C (cm)	D (cm)	E (cm)	F (cm)	G (cm)	I (cm)
V-series	Coiled (Swan neck curl)	Double	63 cm	MC200401 MC200402 MC200201 MC200202	18	0.8	5	0.8	21	5	13	34
V-series Petite	Coiled (Swan neck curl)	Double	39 cm	MC200303	7	0.8	3	0.8	17	4	3	16.5